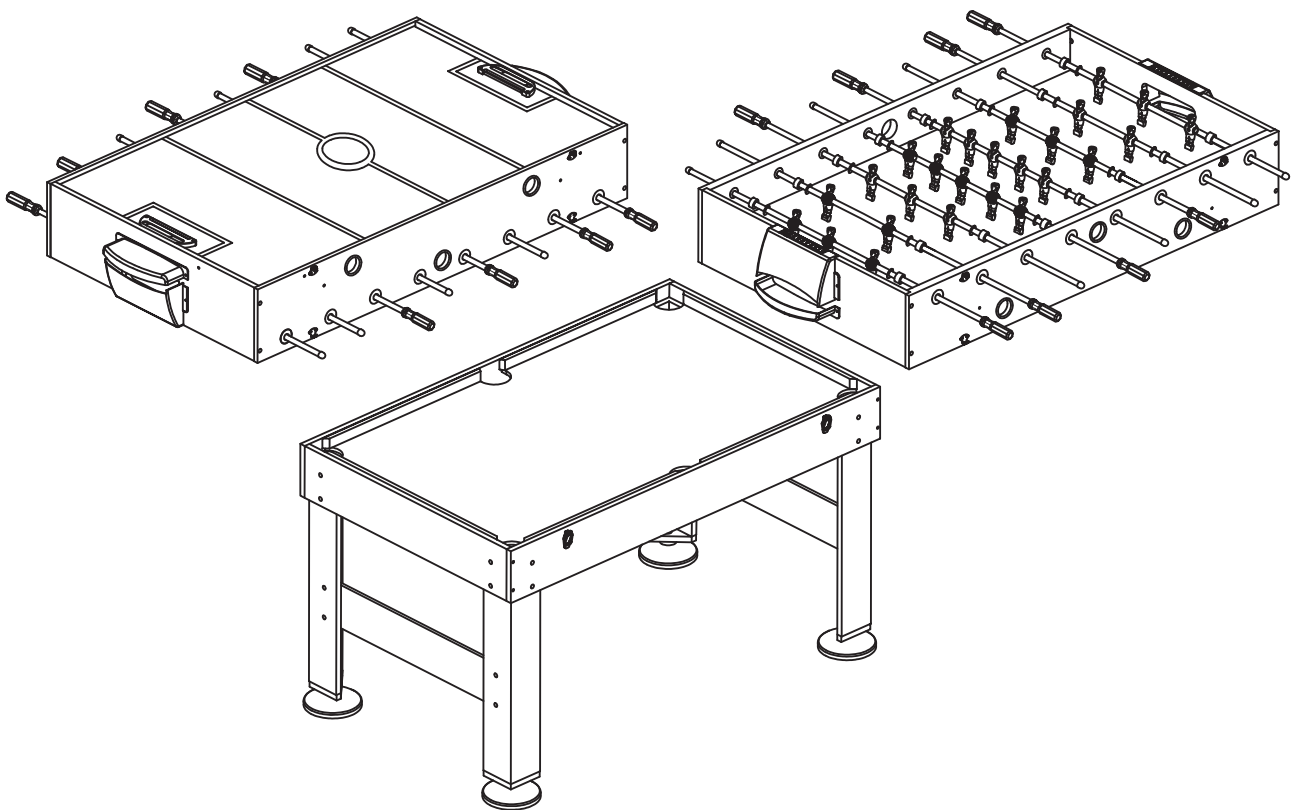




# KICK Trio 48"

(Brown/Black)

## 3-IN-1 MULTI-GAME FOOSBALL TABLE ASSEMBLY INSTRUCTIONS



FY567

# Assembly Instructions

**WARNING: TWO ADULTS ARE NEEDED TO ASSEMBLE THE SOCCER TABLE**



## Official Website of KICK Foosball Tables



IF YOUR TABLE HAS DAMAGES, MISSING PARTS, OR YOU ARE NOT **100%** SATISFIED PLEASE CONTACT **KICK, NOT THE RESELLER.**

← SCAN THIS QR CODE TO CONTACT US IF YOU FACE ANY ISSUES.

FOR THE LATEST INSTRUCTION MANUALS, VIDEOS, TABLE ASSEMBLY INFO, DIFFERENT GOALIE SETUPS, PLAYER TYPES, AND OTHER HELPFUL TIPS - PLEASE VISIT THE LINK BELOW OR SCAN THIS QR CODE →

[www.KICKFoosballTables.com/Instructions/](http://www.KICKFoosballTables.com/Instructions/)



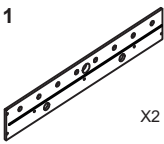
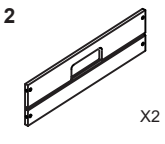
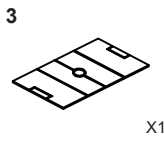
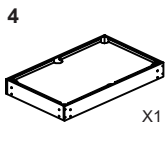
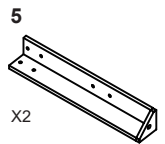
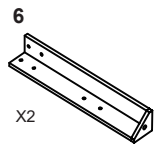
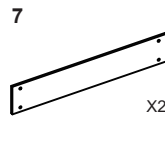
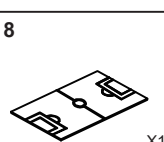
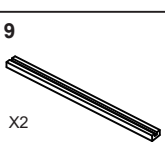
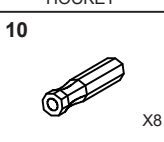
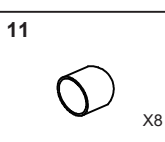
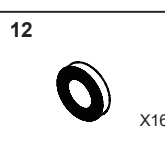
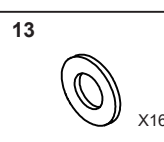
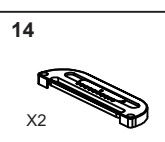
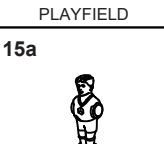

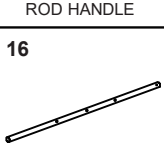
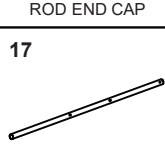
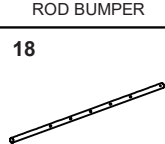
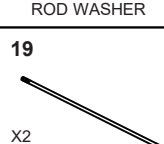
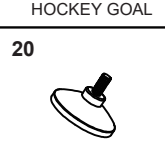


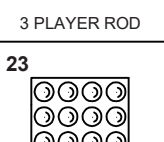
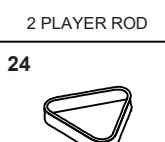
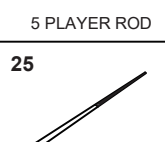
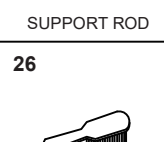

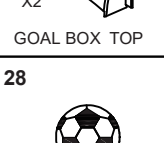
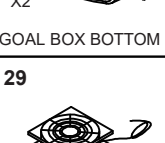
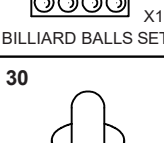
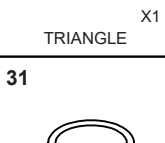
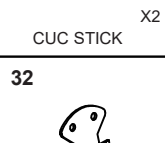
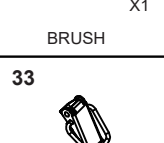
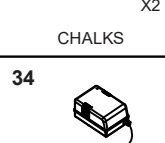
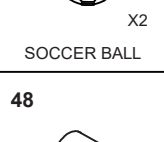
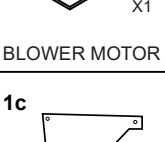
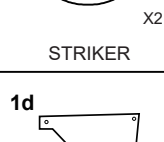
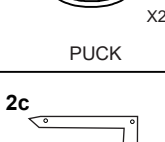
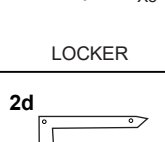
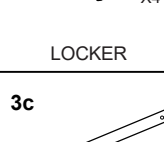
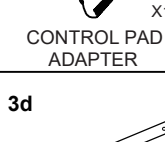

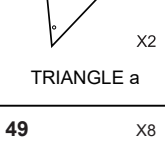
### CONTACT INFORMATION:

**Email:** Support@KICKFoosballTables.com  
**Website:** www.KICKFoosballTables.com  
**Phone:** 1 (866) 844-KICK (5425) or (210) 664-8934

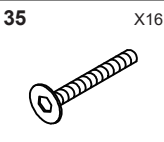
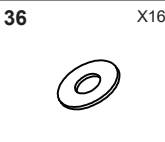


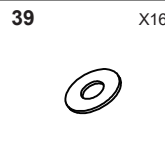
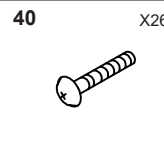


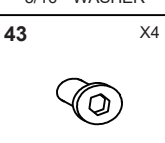
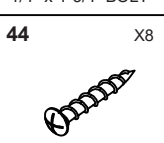
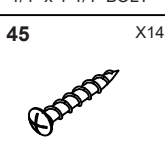
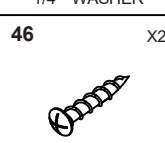
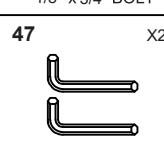
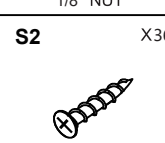
### MAILING ADDRESS:

KICK Sports  
PO Box 790311  
San Antonio, Texas 78279

# PARTS LIST

 1 SIDE PANEL X2	 2 END PANEL X2	 3 HOCKEY X1	 4 BILLIARD TABLE X1	 5 RIGHT LEG X2	 6 LEFT LEG X2	 7 CROSS BAR X2
 8 PLAYFIELD X1	 9 SUPPORT BRACE X2	 10 ROD HANDLE X8	 11 ROD END CAP X8	 12 ROD BUMPER X16	 13 ROD WASHER X16	 14 HOCKEY GOAL X2
 15a PLAYER X13	 15b PLAYER X13	 16 3 PLAYER ROD X4	 17 2 PLAYER ROD X2	 18 5 PLAYER ROD X2	 19 SUPPORT ROD X2	 20 LEG LEVELER X4
 21 GOAL BOX TOP X2	 22 GOAL BOX BOTTOM X2	 23 BILLIARD BALLS SET X1	 24 TRIANGLE X1	 25 CUC STICK X2	 26 BRUSH X1	 27 CHALKS X2
 28 SOCCER BALL X2	 29 BLOWER MOTOR X1	 30 STRIKER X2	 31 PUCK X2	 32 LOCKER X8	 33 LOCKER X4	 34 CONTROL PAD ADAPTER X1
 48 STOP RING X4	 1c TRIANGLE a X2	 1d TRIANGLE b X2	 2c L STYLE PLASTIC a X2	 2d L STYLE PLASTIC b X2	 3c LONG PLASTIC a X2	 3d LONG PLASTIC b X2
 P13a SCREW HOLE CAP (to cover the hole of the screws S2) 1 SET	 49 1/4" LOCK NUT X8					

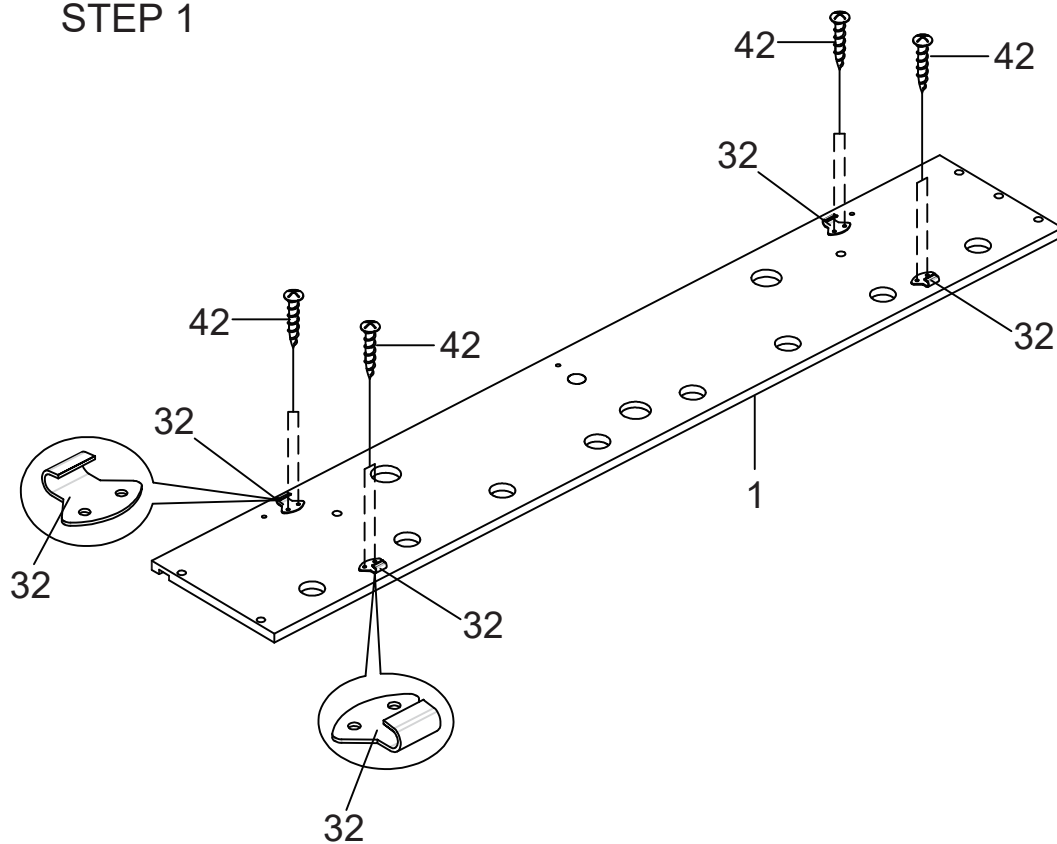
# HARDWARE

 35 5/16" x 1-1/4" BOLT X16	 36 5/16" WASHER X16	 37 1/4" x 1-3/4" BOLT X8	 38 1/4" x 1-1/4" BOLT X8	 39 1/4" WASHER X16	 40 1/8" x 3/4" BOLT X26	 41 1/8" NUT X26
 42 1/8" x 1/2" SCREWS X36	 43 1/4" NUT X4	 44 3/16" x 1/2" BOLT X8	 45 1/8" x 1-1/4" SCREWS X14	 46 1/8" x 1-3/4" SCREWS X2	 47 ALLEN WRENCH X2	 S2 3/8" FLAT HEAD SCREWS X36

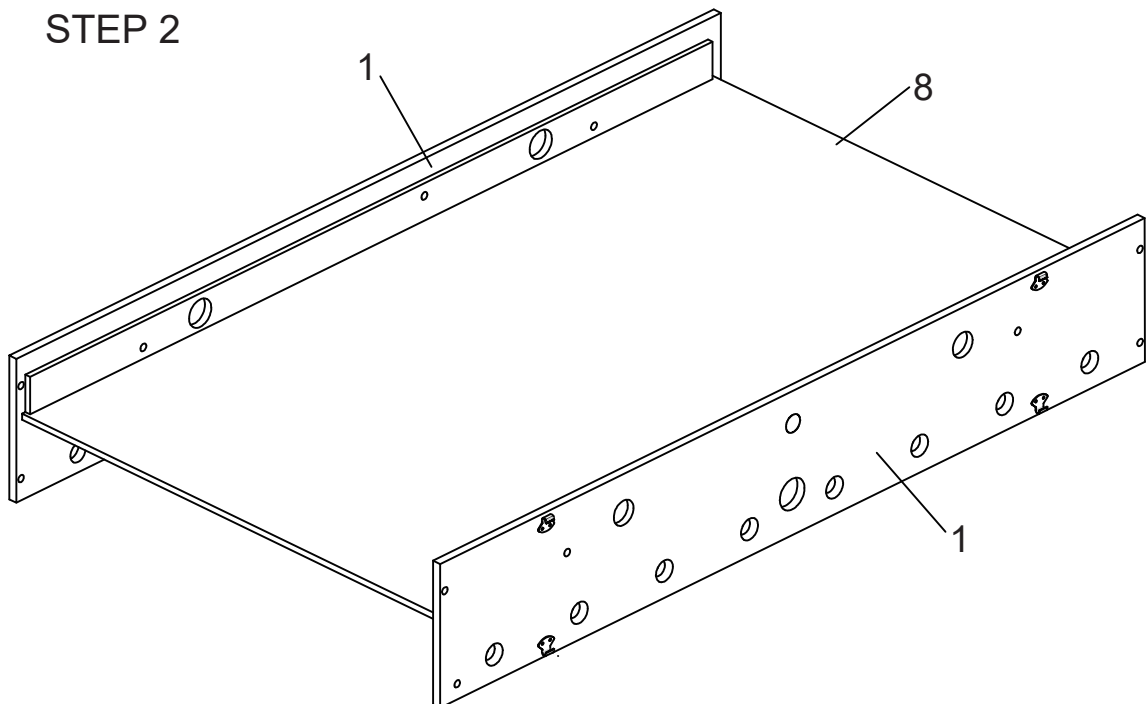
# Assembly Instructions

WARNING: TWO ADULTS ARE NEEDED TO ASSEMBLE THE SOCCER TABLE

## STEP 1



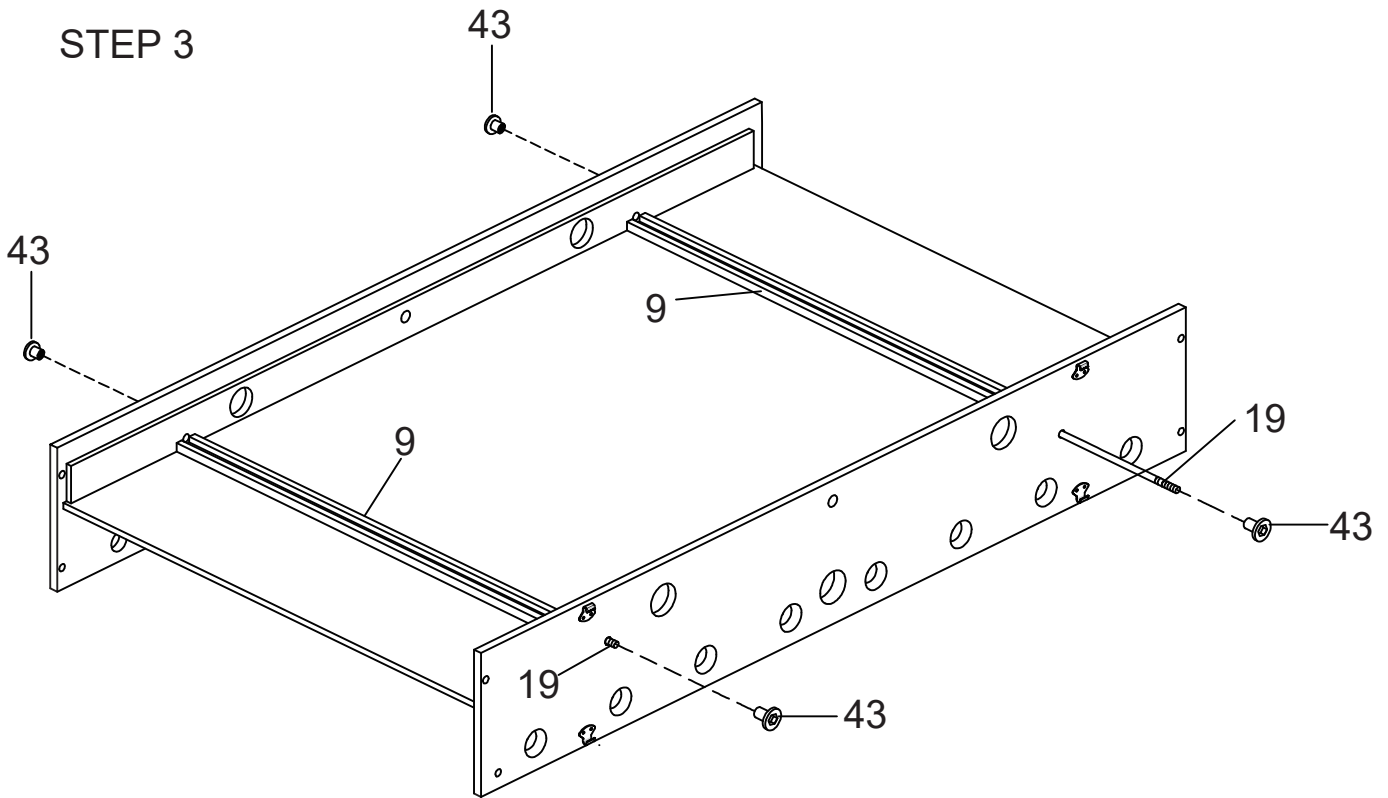
## STEP 2



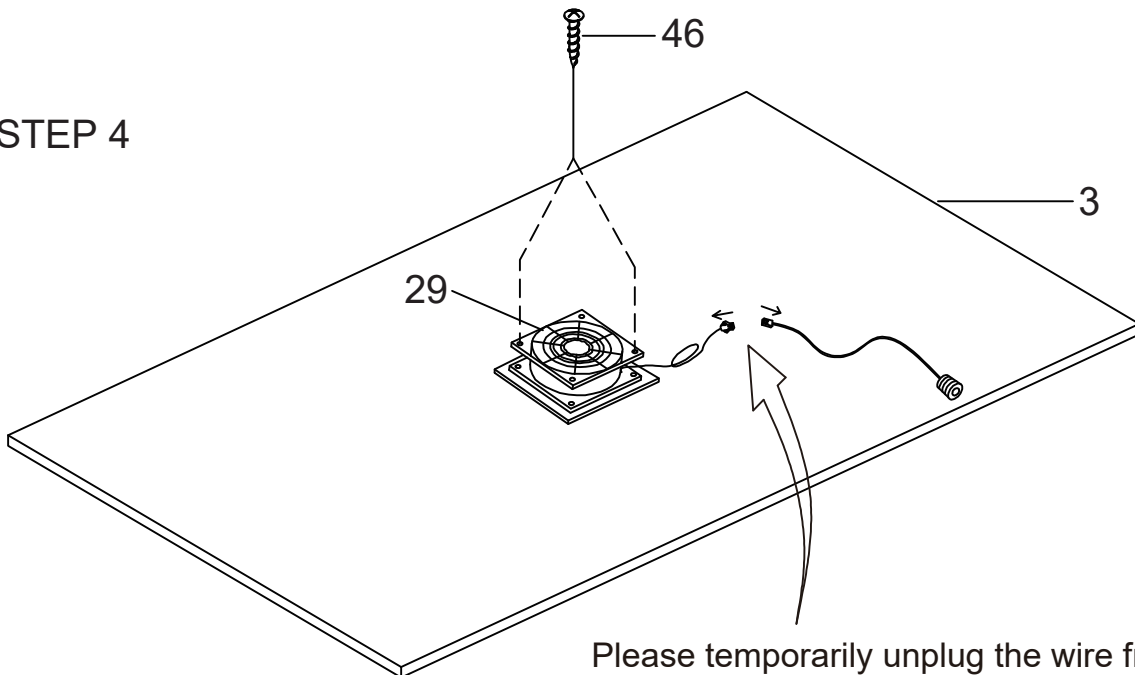
# Assembly Instructions

WARNING: TWO ADULTS ARE NEEDED TO ASSEMBLE THE SOCCER TABLE

## STEP 3



## STEP 4

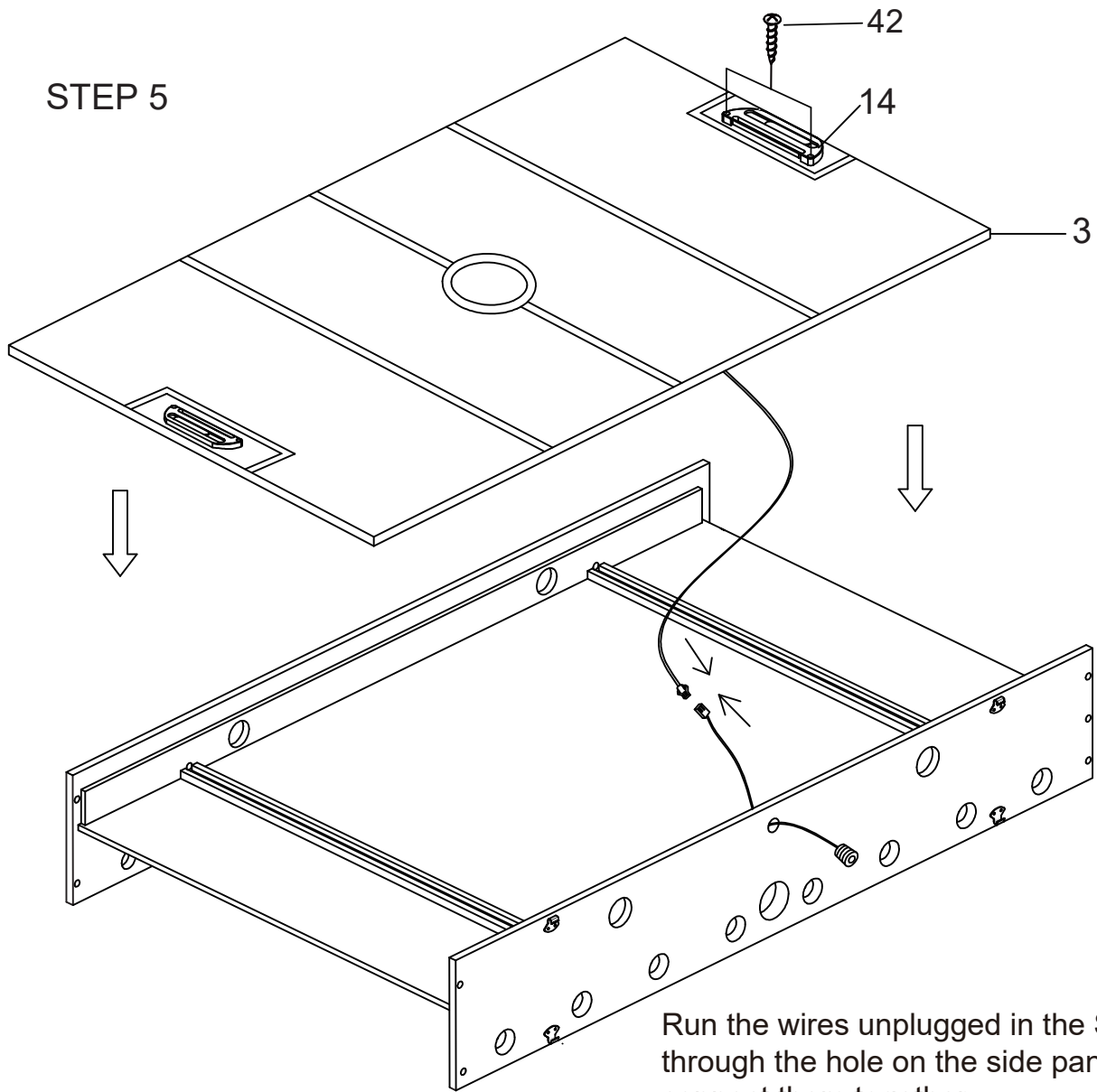


Please temporarily unplug the wire from the connector at this step.

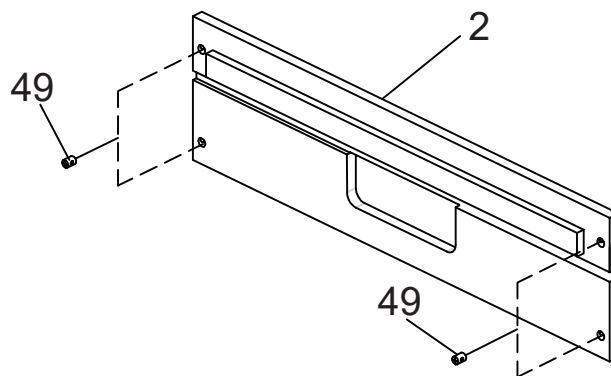
# Assembly Instructions

WARNING: TWO ADULTS ARE NEEDED TO ASSEMBLE THE SOCCER TABLE

STEP 5

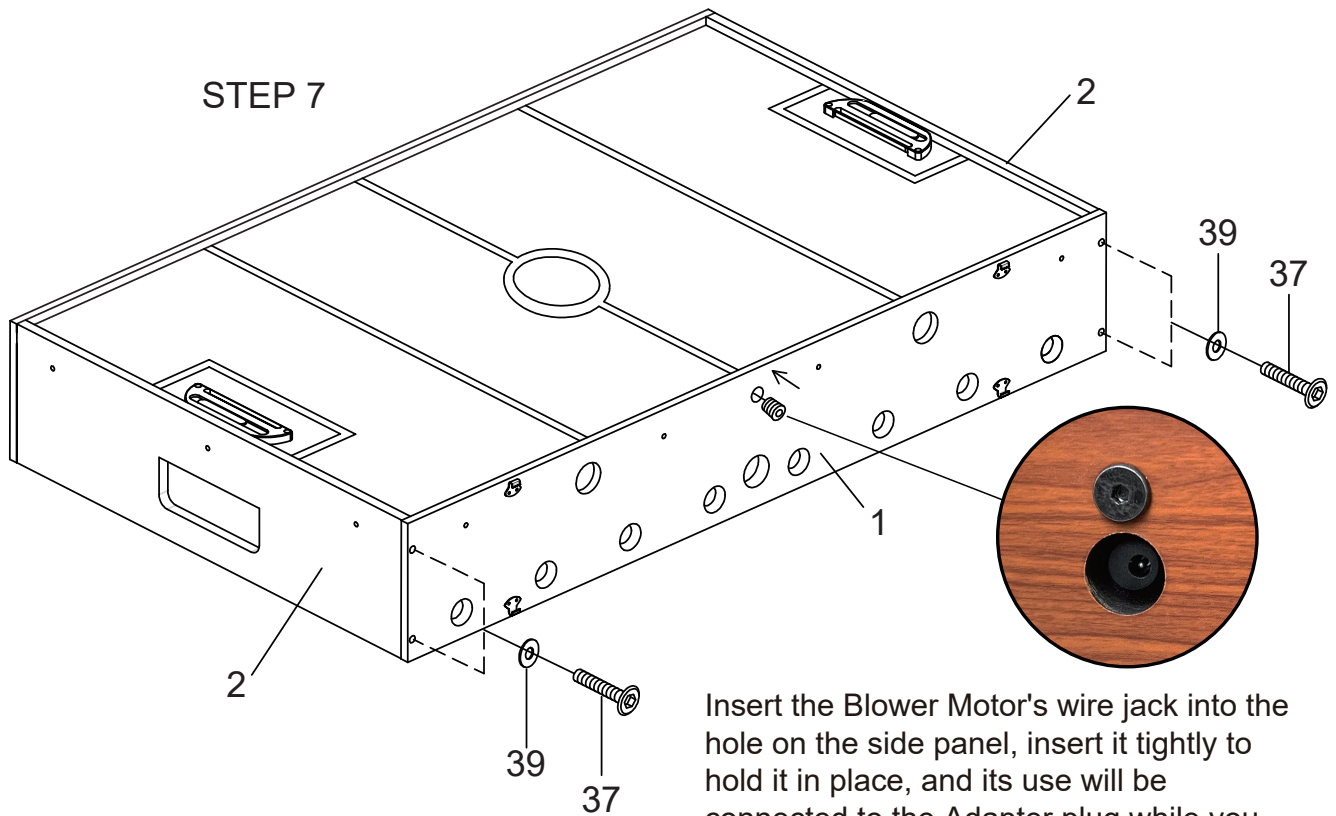


STEP 6

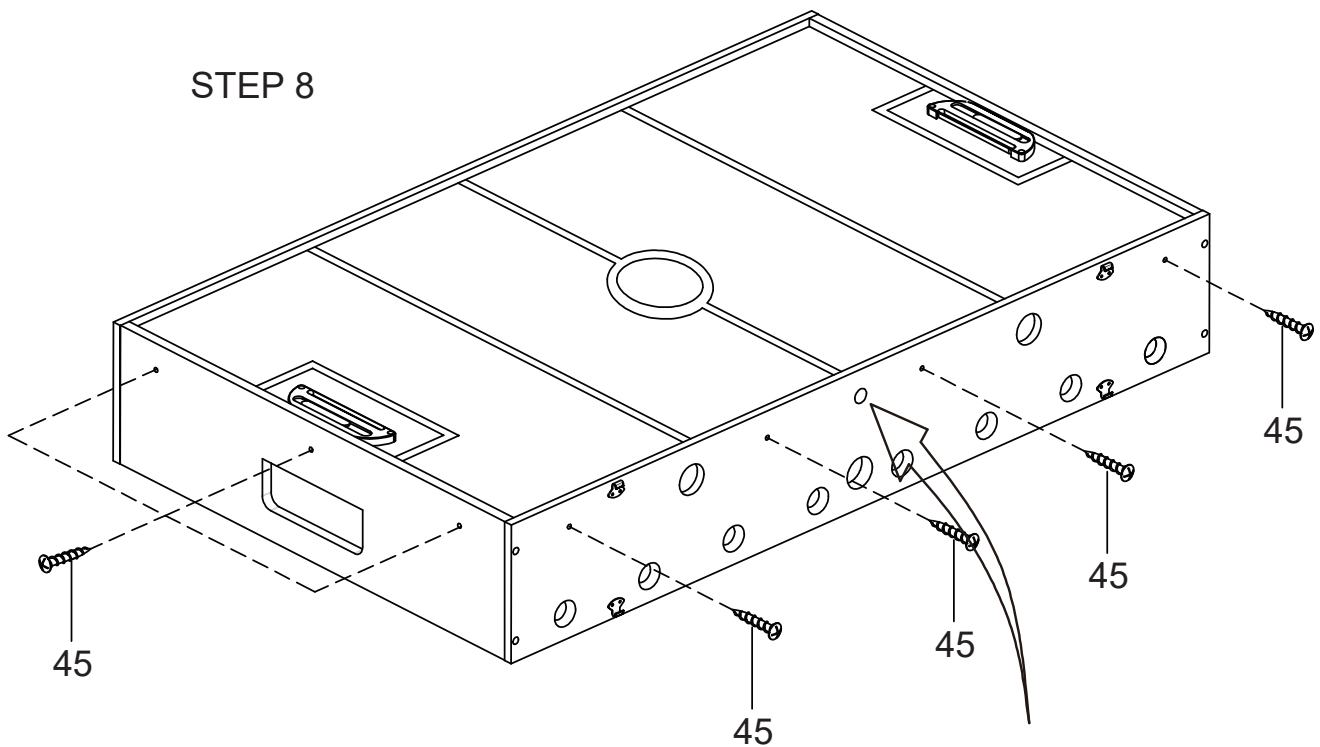


# Assembly Instructions

**WARNING: TWO ADULTS ARE NEEDED TO ASSEMBLE THE SOCCER TABLE**



Insert the Blower Motor's wire jack into the hole on the side panel, insert it tightly to hold it in place, and its use will be connected to the Adapter plug while you play the air hockey table.



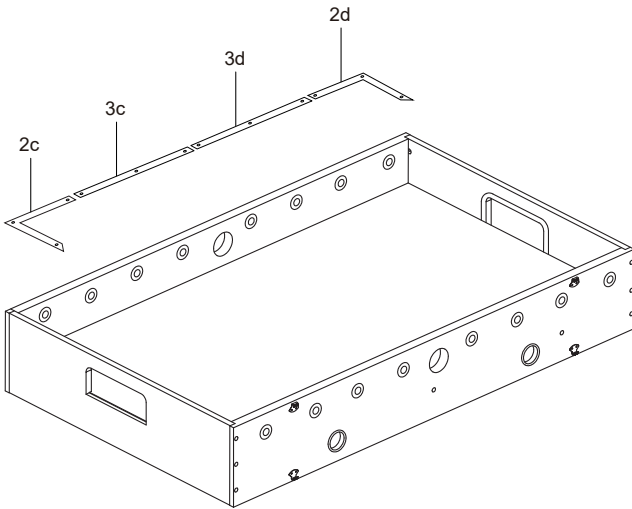
The Blower Motor jack into the hole on the side panel, which will be used to connect to the Adapter ( #34).

# Assembly Instructions

**WARNING: TWO ADULTS ARE NEEDED TO ASSEMBLE THE SOCCER TABLE**

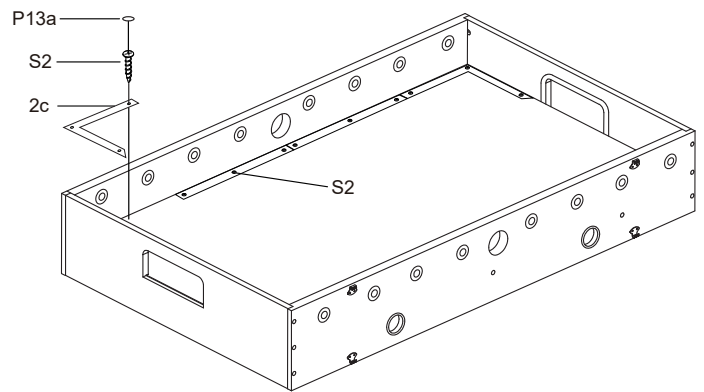
## STEP 9A

Steps 9A to 9E are optional if you want.



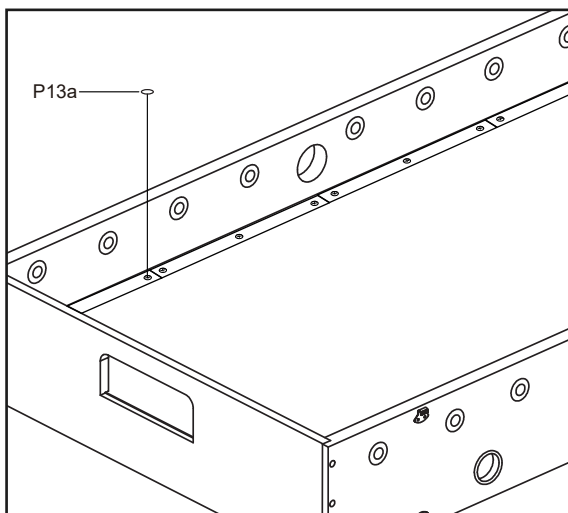
## STEP 9B

Attach the plastic 2c, 2d, 3c, 3d to the playing field with S2.

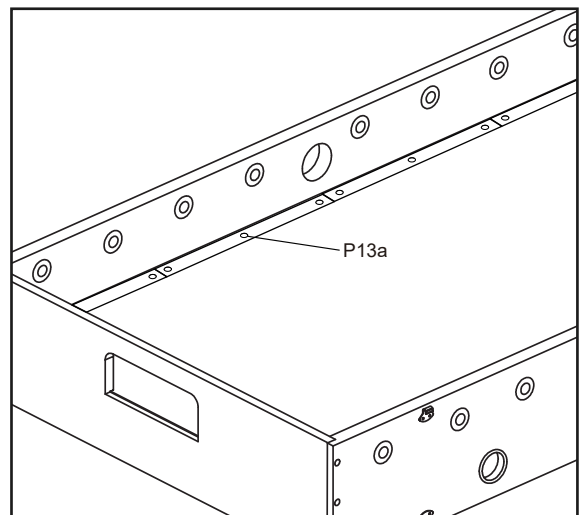


## STEP 9C

Cover the Screw Hole Cap P13a to the screw hole.



## STEP 9D

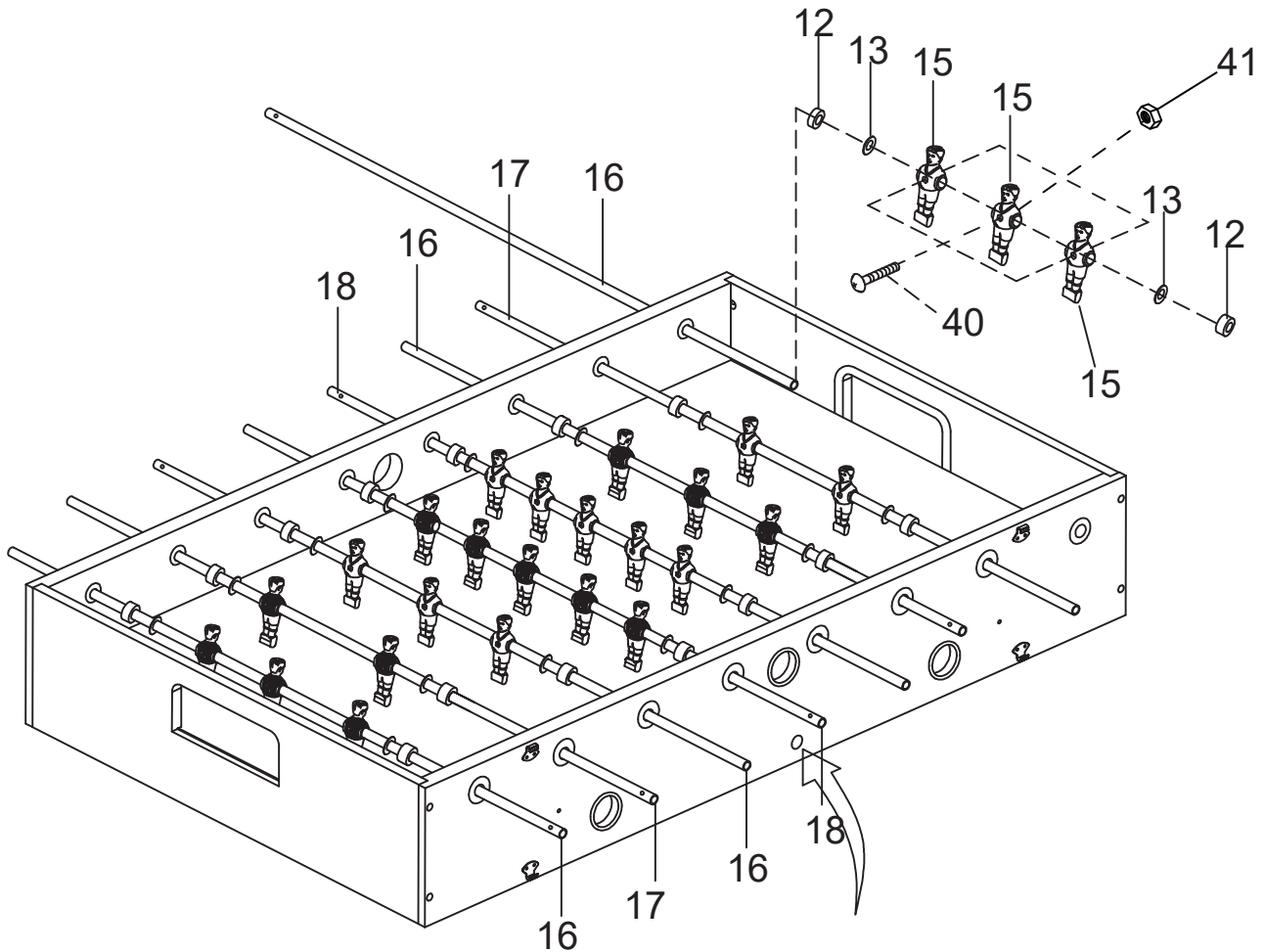




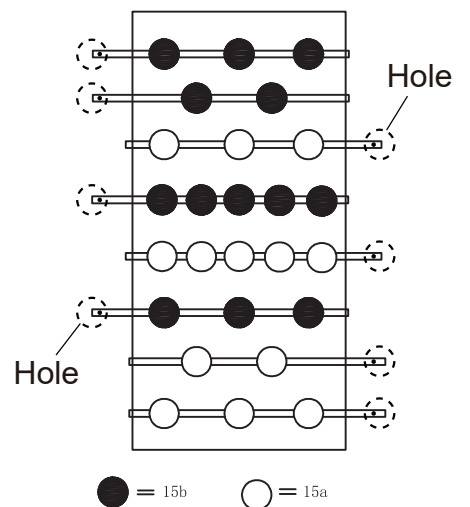
# Assembly Instructions

**WARNING: TWO ADULTS ARE NEEDED TO ASSEMBLE THE SOCCER TABLE**

## STEP 9E



*Insert the rod end part way through one side panel, and then place the rest of the parts needed on each rod, in the order shown, before inserting through the other side panel.*

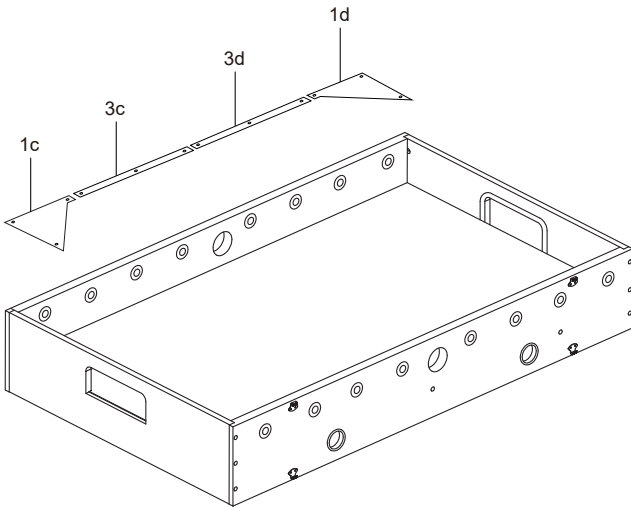


# Assembly Instructions

**WARNING: TWO ADULTS ARE NEEDED TO ASSEMBLE THE SOCCER TABLE**

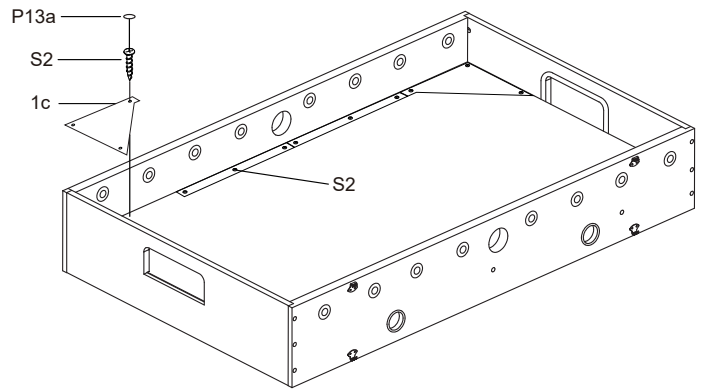
## STEP 10A

Steps 10A to 10E are optional if you want.



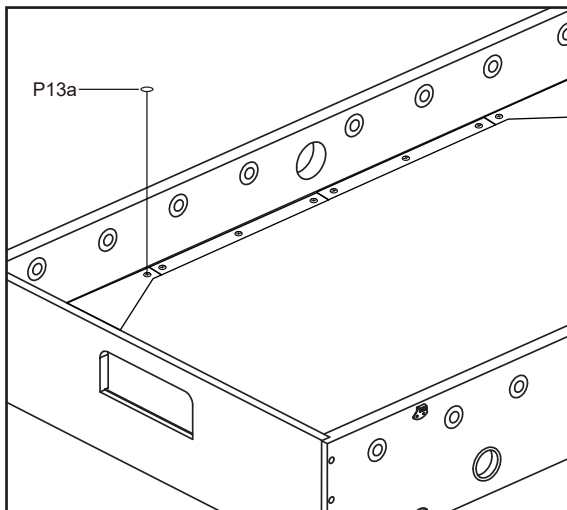
## STEP 10B

Attach the plastic 1c, 1d, 3c, 3d to the playing field with S2.

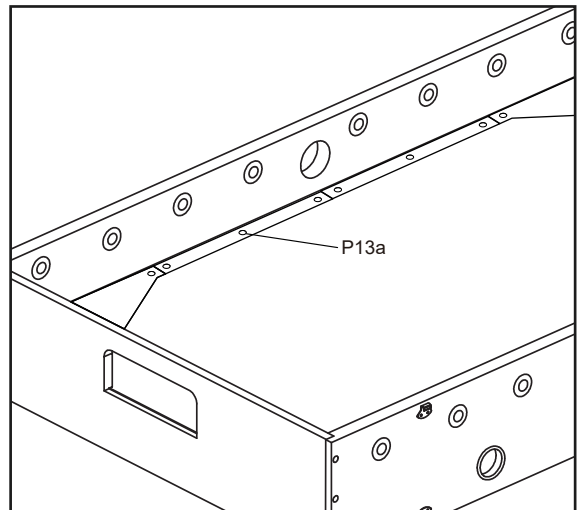


## STEP 10C

Cover the Screw Hole Cap P13a to the screw hole.



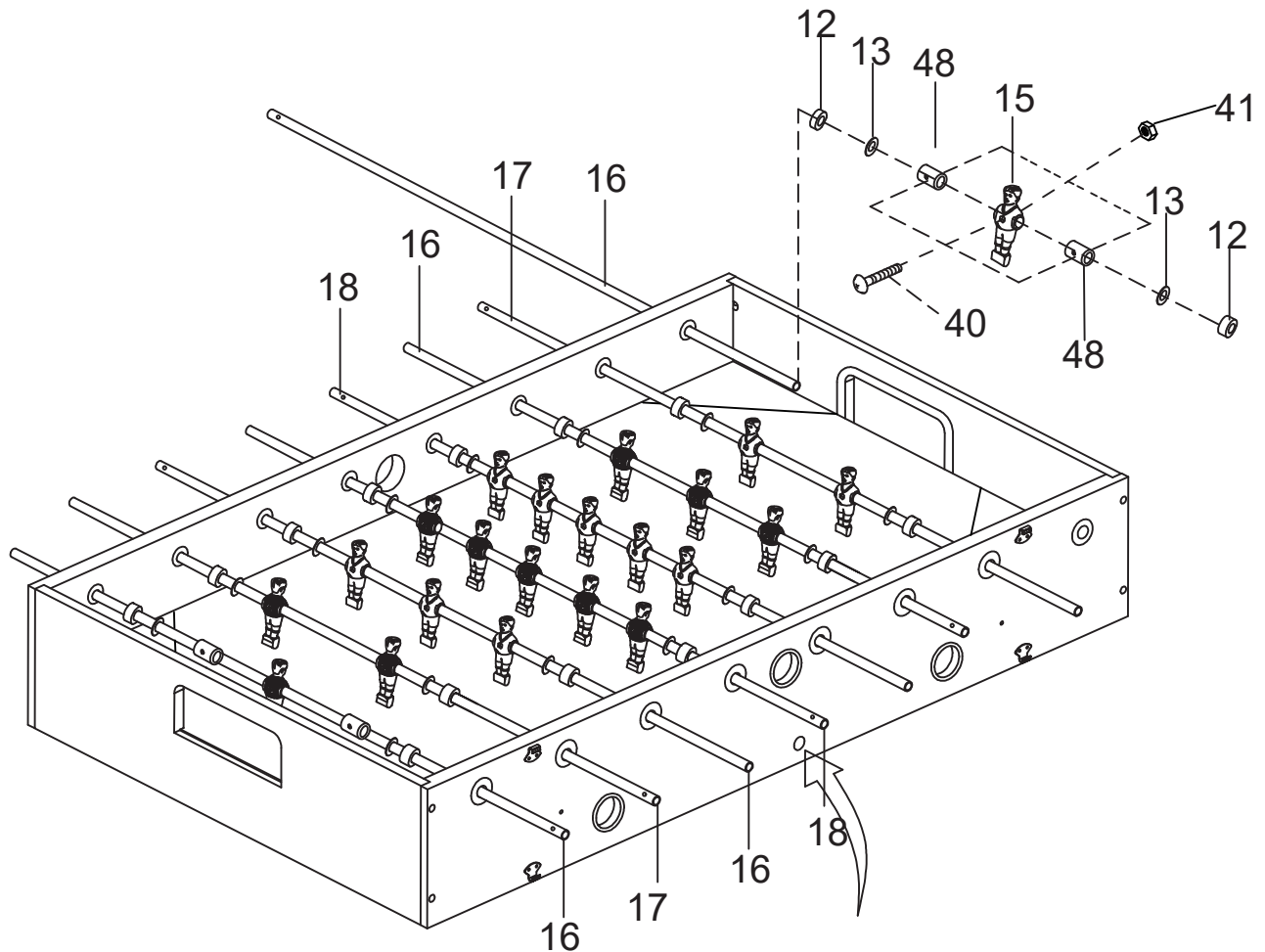
## STEP 10D



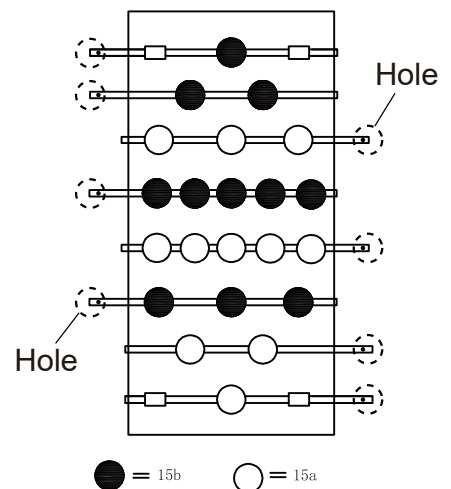
# Assembly Instructions

WARNING: TWO ADULTS ARE NEEDED TO ASSEMBLE THE SOCCER TABLE

## STEP 10E



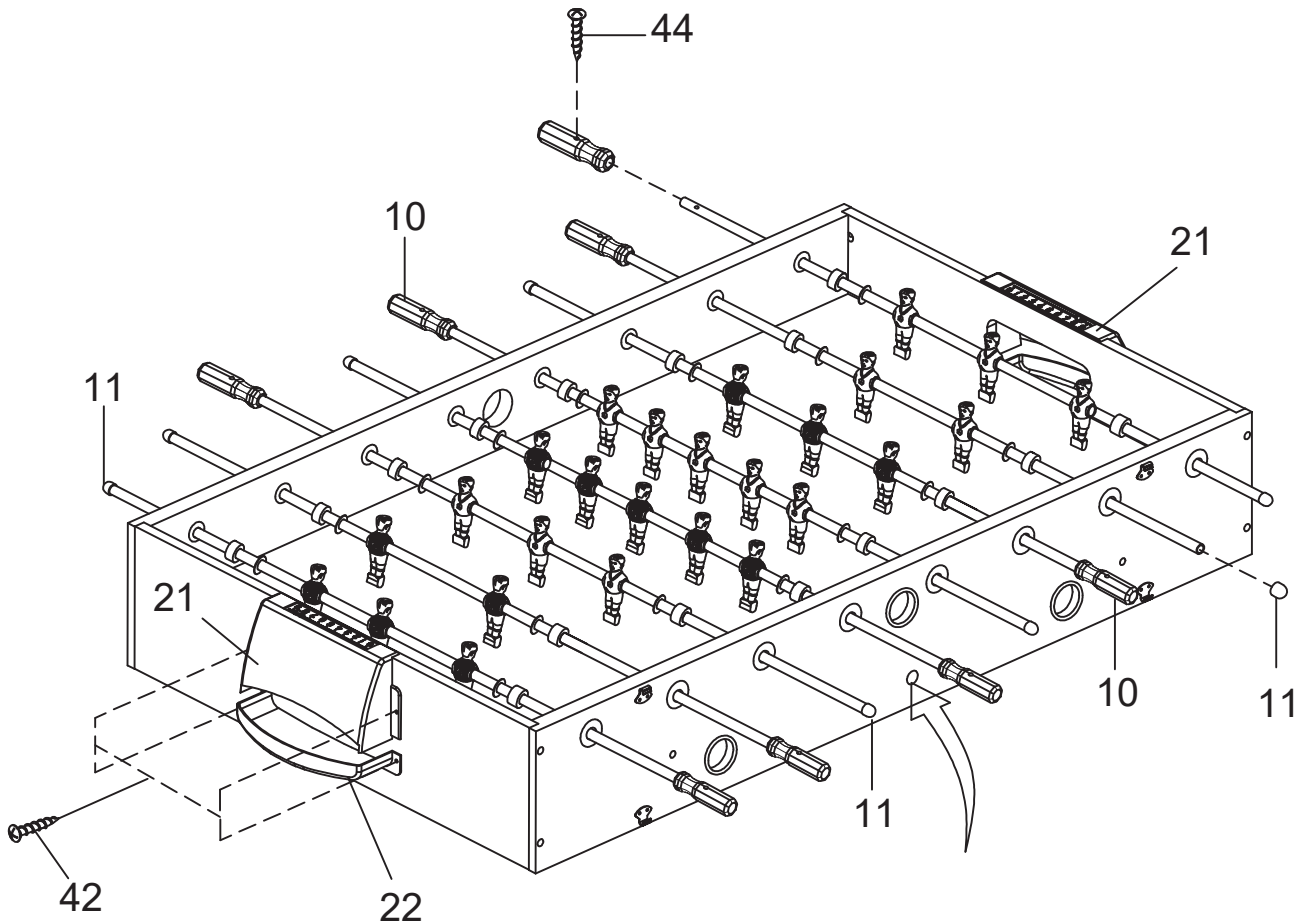
*Insert the rod end part way through one side panel, and then place the rest of the parts needed on each rod, in the order shown, before inserting through the other side panel.*



# Assembly Instructions

WARNING: TWO ADULTS ARE NEEDED TO ASSEMBLE THE SOCCER TABLE

## STEP 11

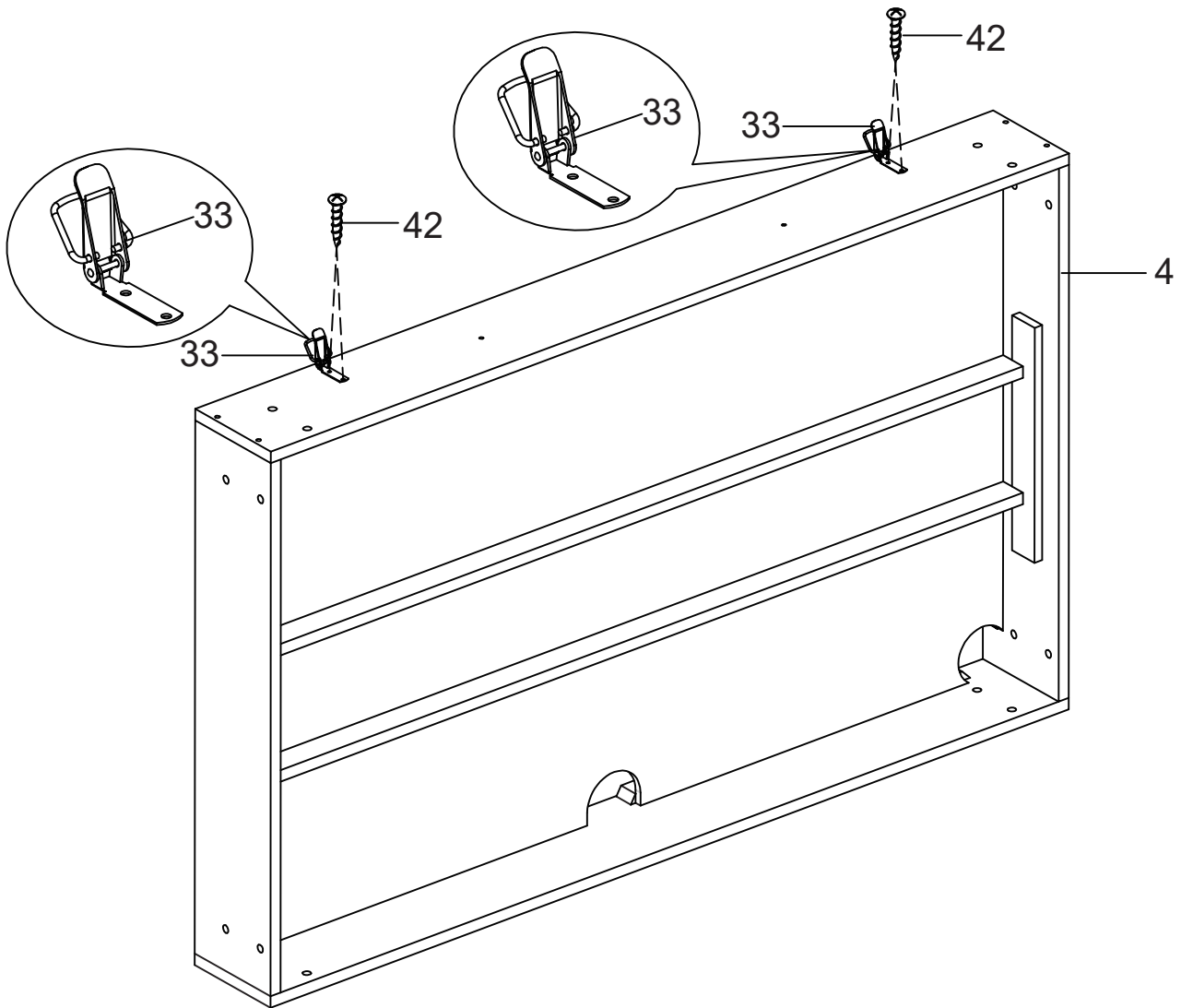


**NOTE:** Handle (10) attaches to rod end with hole and Rod End Cap (11) goes on opposite end. Each team should face the opposite goal and all be the same color. See diagram above for rod and player positions.

# Assembly Instructions

WARNING: TWO ADULTS ARE NEEDED TO ASSEMBLE THE SOCCER TABLE

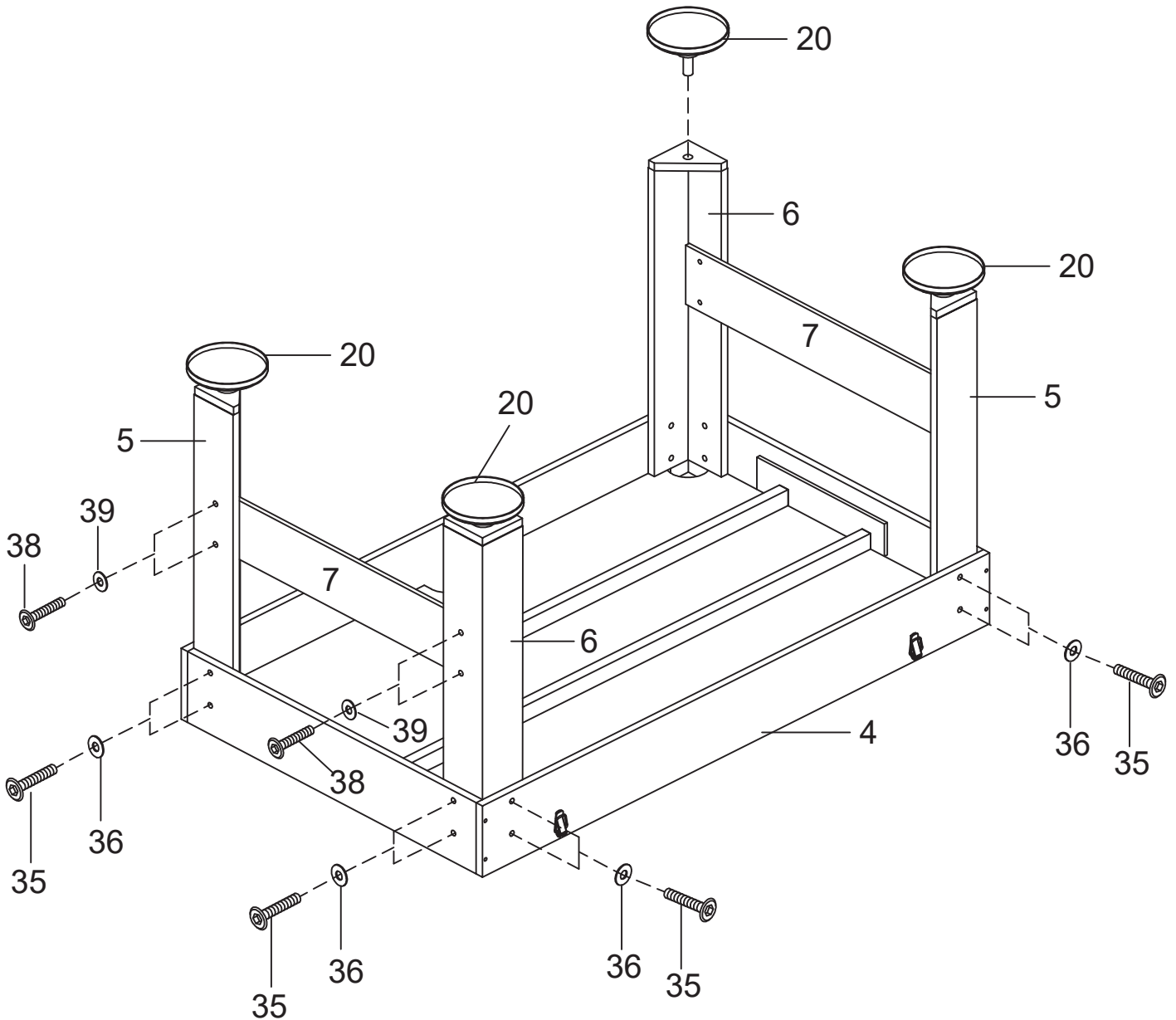
## STEP 12



# Assembly Instructions

WARNING: TWO ADULTS ARE NEEDED TO ASSEMBLE THE SOCCER TABLE

## STEP 13

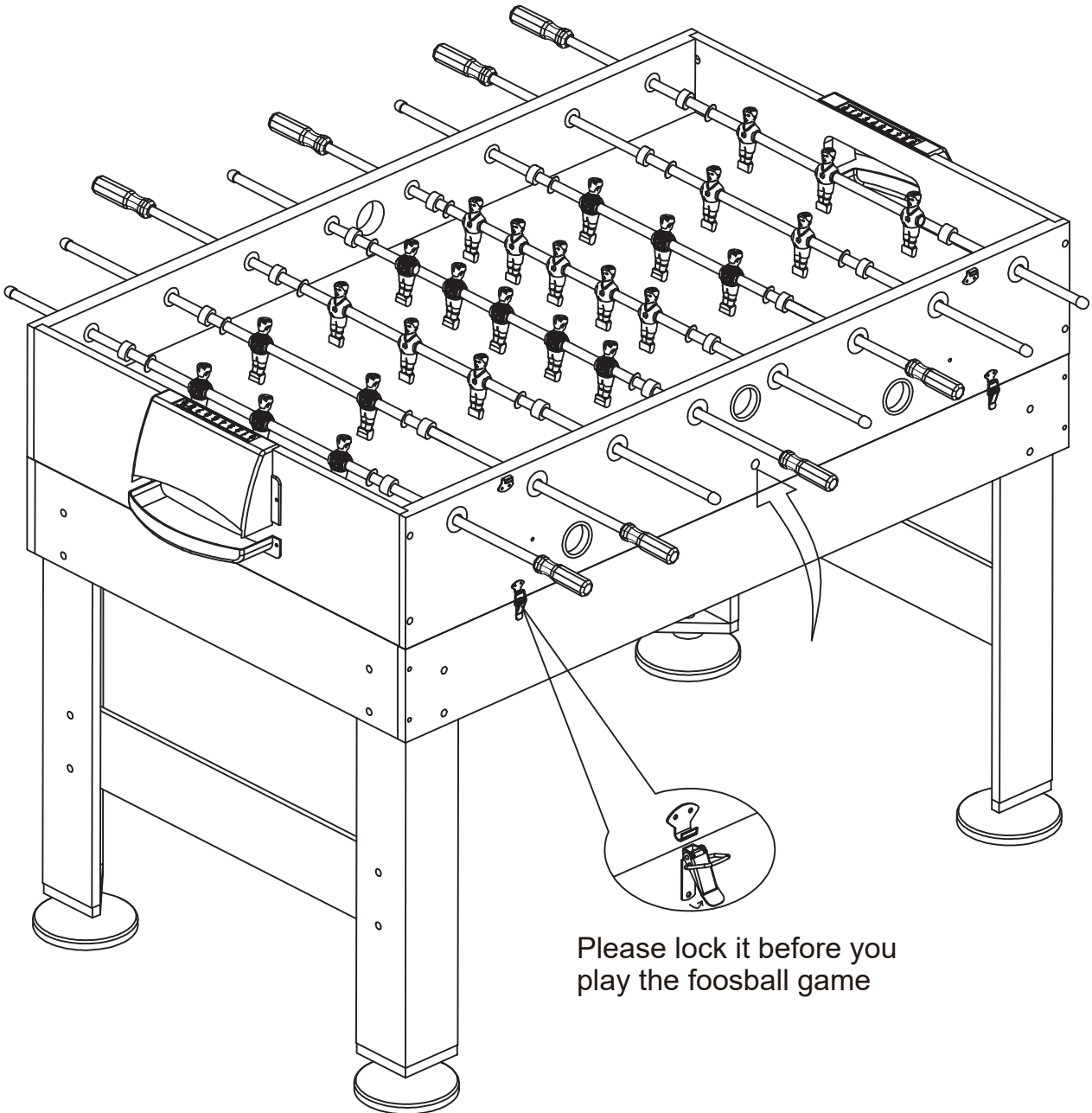


**NOTE:** Two adults are required to turn table upright. Turn over using main table body only, NOT legs, and place on all four feet on ground at same time.

# Assembly Instructions

WARNING: TWO ADULTS ARE NEEDED TO ASSEMBLE THE SOCCER TABLE

## STEP 14



# Assembly Instructions

WARNING: TWO ADULTS ARE NEEDED TO ASSEMBLE THE SOCCER TABLE

## STEP 15

